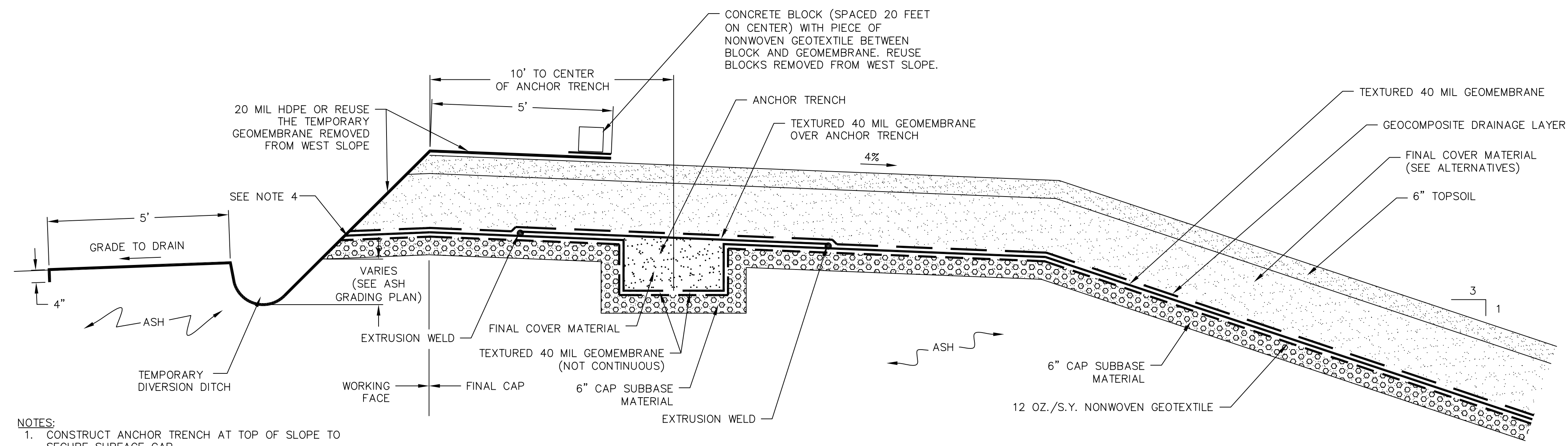


TYPICAL NORTH AND WEST EXTERIOR BERM SECTION
NOT TO SCALE



TYPICAL WORKING FACE AND FINAL CAP INTERFACE
NOT TO SCALE

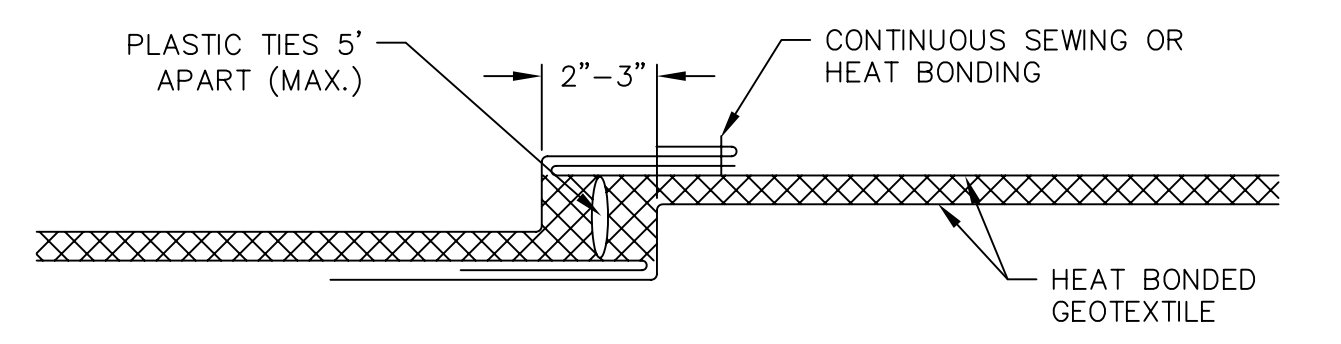


FIGURE 1: OVERLAP ALONG ROLL LENGTH

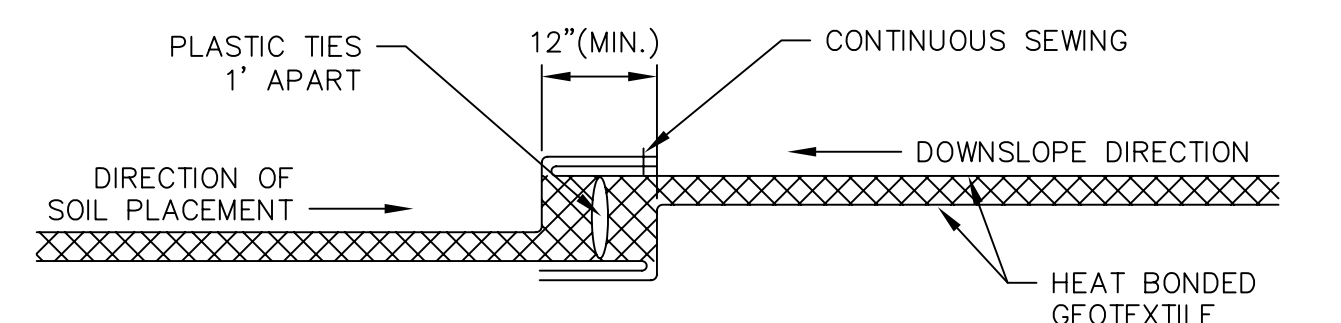


FIGURE 2: OVERLAP ALONG ROLL WIDTH

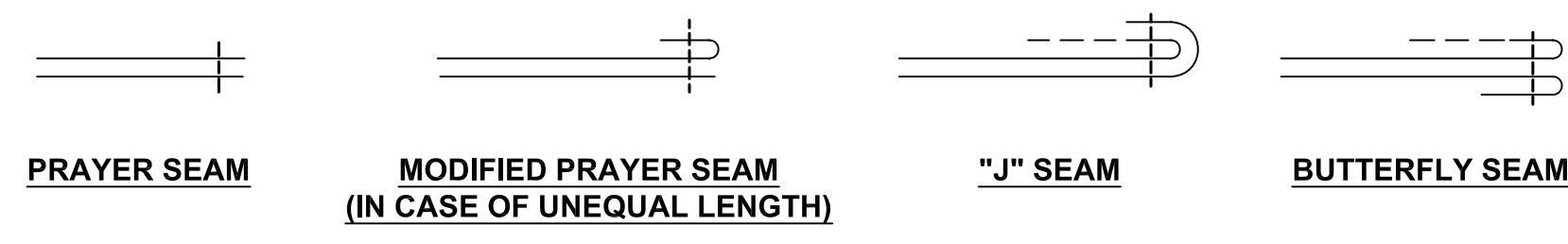
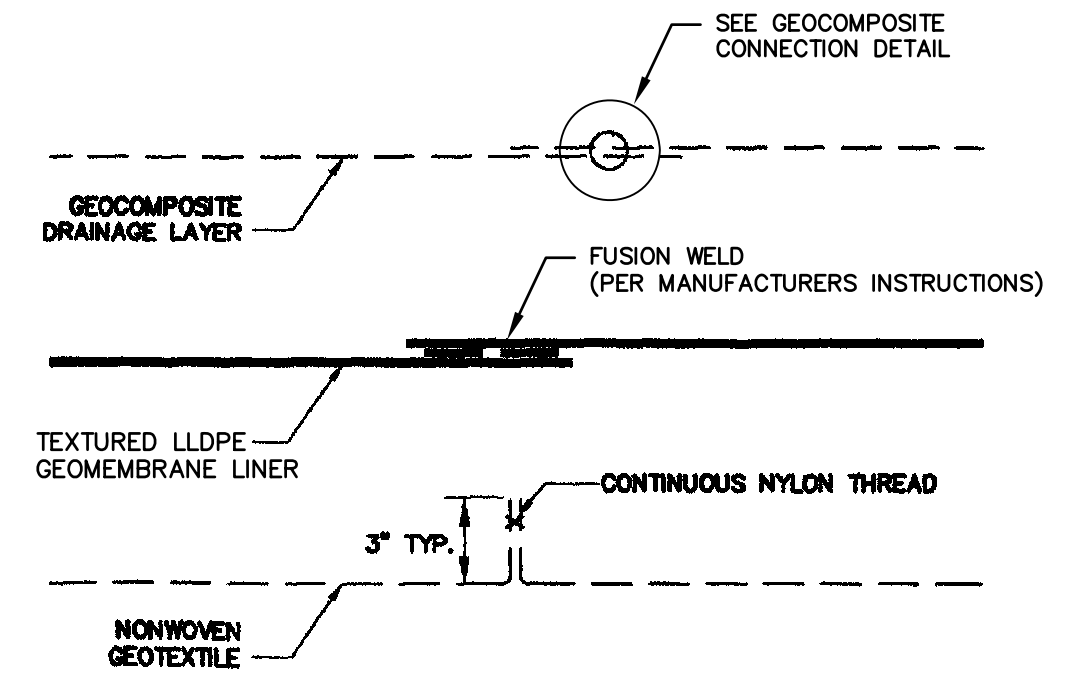
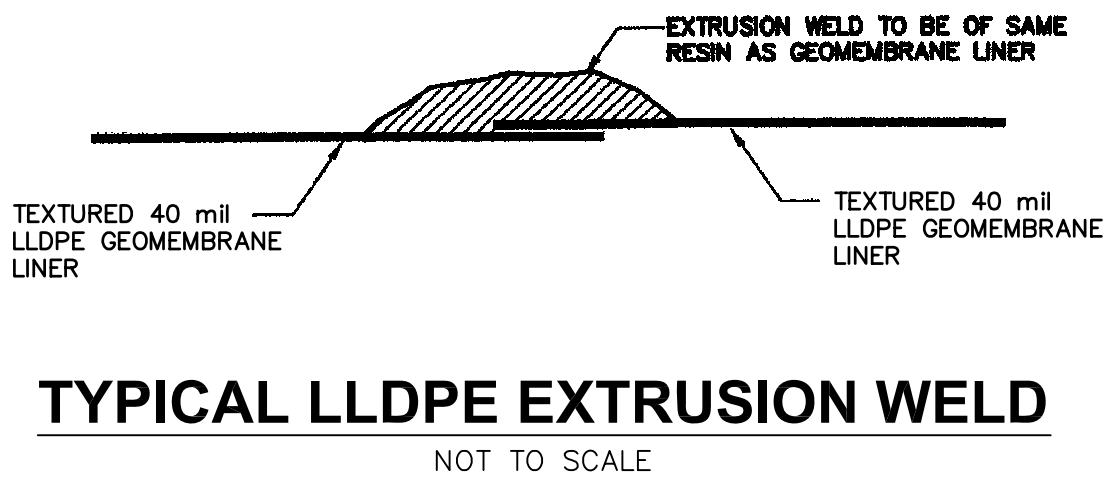


FIGURE 3: GEOTEXTILE SEWING SEAMS DETAILS

TYPICAL GEOCOMPOSITE CONNECTION DETAILS
NOT TO SCALE



TYPICAL GEOSYNTHETIC CONNECTION DETAILS
NOT TO SCALE



TYPICAL LLDPE EXTRUSION WELD
NOT TO SCALE

- NOTES:**
1. CONSTRUCT ANCHOR TRENCH AT TOP OF SLOPE TO SECURE SURFACE CAP.
 2. COVER FINAL CAP WITH 20 MIL HDPE TO PREVENT EROSION. SECURE WITH CONCRETE BLOCKS AND SANDBAGS.
 3. GRADE WORKING FACE AWAY FROM FINAL CAP TO PREVENT STORM WATER INTRUSION.
 4. WRAP END OF TEXTURED 40 mil GEOMEMBRANE WITH 6 mil POLYETHYLENE SHEETING AND SEAL WITH TAPE TO KEEP CLEAN FOR FUTURE END WELDING. POLY SHEETING SHALL EXTEND 5 FEET FROM EDGE ON TOP AND BOTTOM.

1	ADDED ELECT. CONDUITS AND FORCE MAIN TO TYPICAL NORTH AND WEST EXTERIOR BERM SECTION DETAIL	5/21/07	CNS
SYMBOL	REVISIONS	DATE	APPROVAL
CONNECTICUT RESOURCES RECOVERY AUTHORITY HARTFORD LANDFILL			
HARTFORD LANDFILL PHASE I ASH AREA PARTIAL CLOSURE TYPICAL CAP DETAILS			
DESIGN:	MNB/MAP	05/01/07	SHEET 7
DRAWN:	KDH	05/01/07	SCALE: NONE
CHECKED:	CNS	05/01/07	D-2
DATE:			