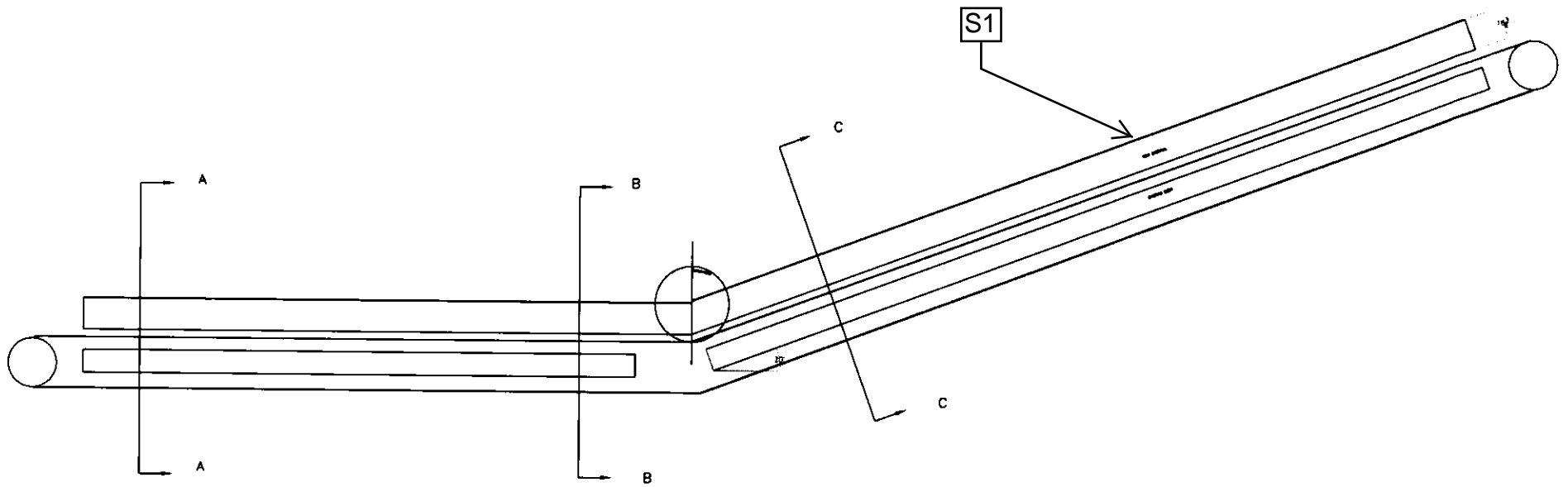
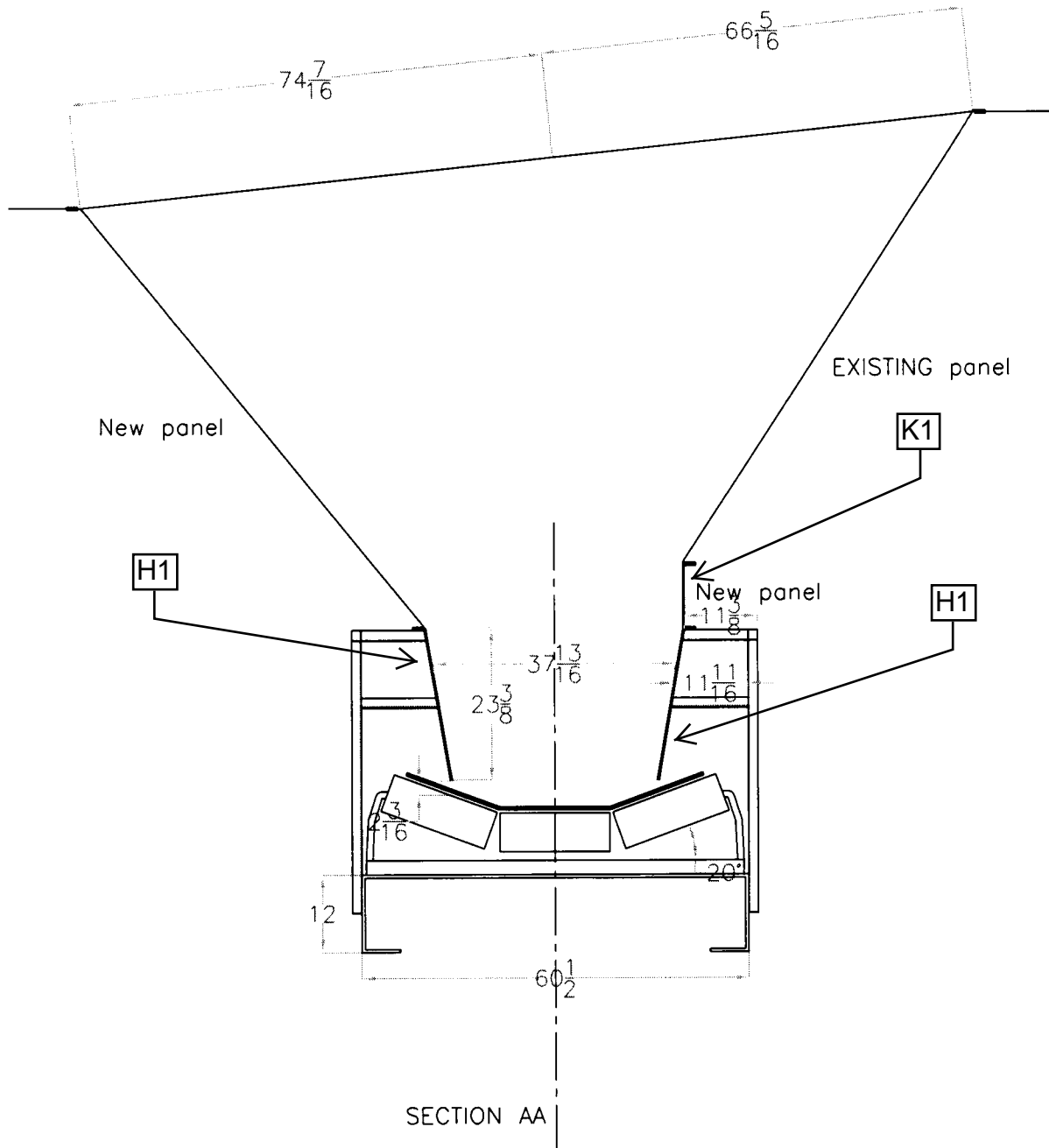


Drawing #7-1



DATE	BY	CHKD BY	DATE
General Arrangement			
SCALE			
MATERIAL			
REV	DATE	BY	CHKD BY
D			
PART NO. CA 123-223-1		REV. 1	

Drawing #8-1



Drawing #9-1

