

THE INFORMATION CONTAINED IN THIS SET OF DOCUMENTS IS PROPRIETARY BY NATURE. ANY USE, DISCLOSURE OTHER THAN THAT WHICH RELATES TO COVANTA MID-CONN., INC. IS STRICTLY PROHIBITED.

REVISIONS		
NUMBER	DATE	REMARKS

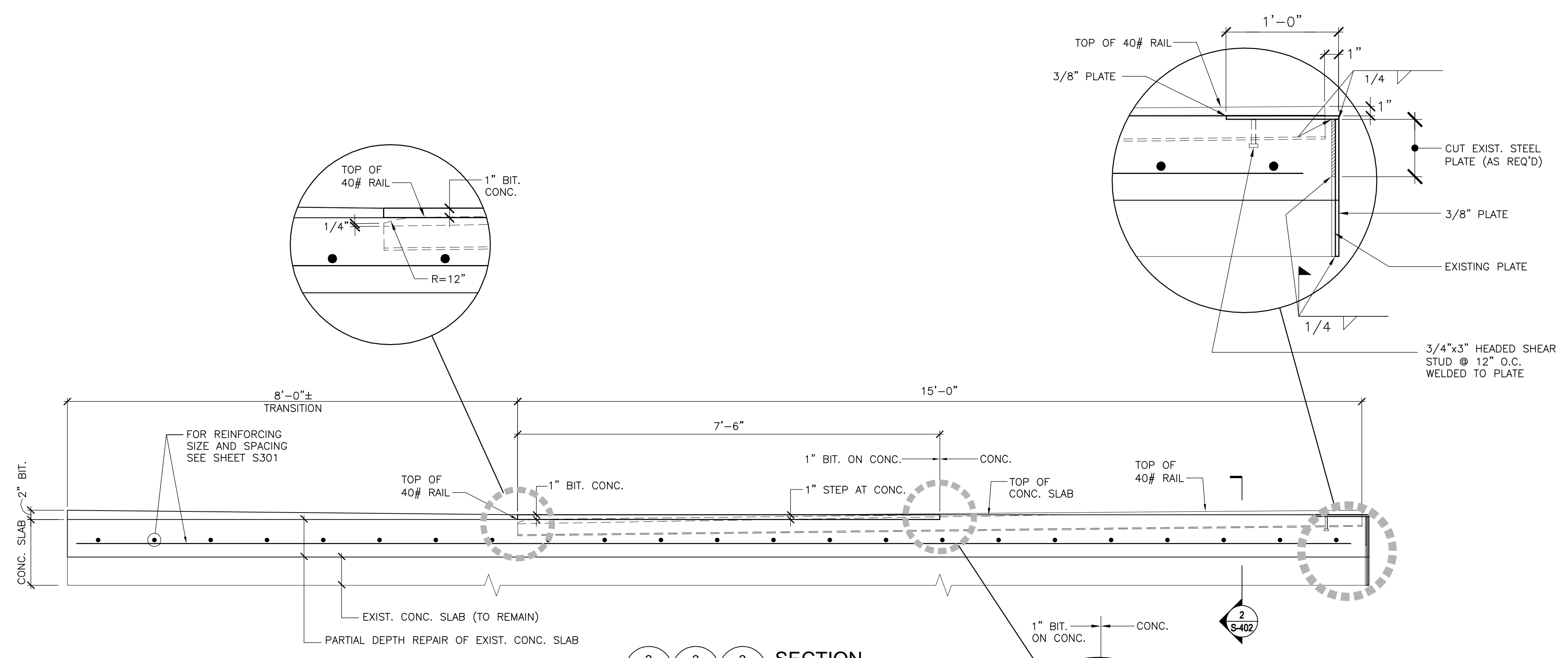
**MID-CONNECTICUT
PROJECT
MSW FLOOR
REPAIR**

MAXIM ROAD
HARTFORD, CT.

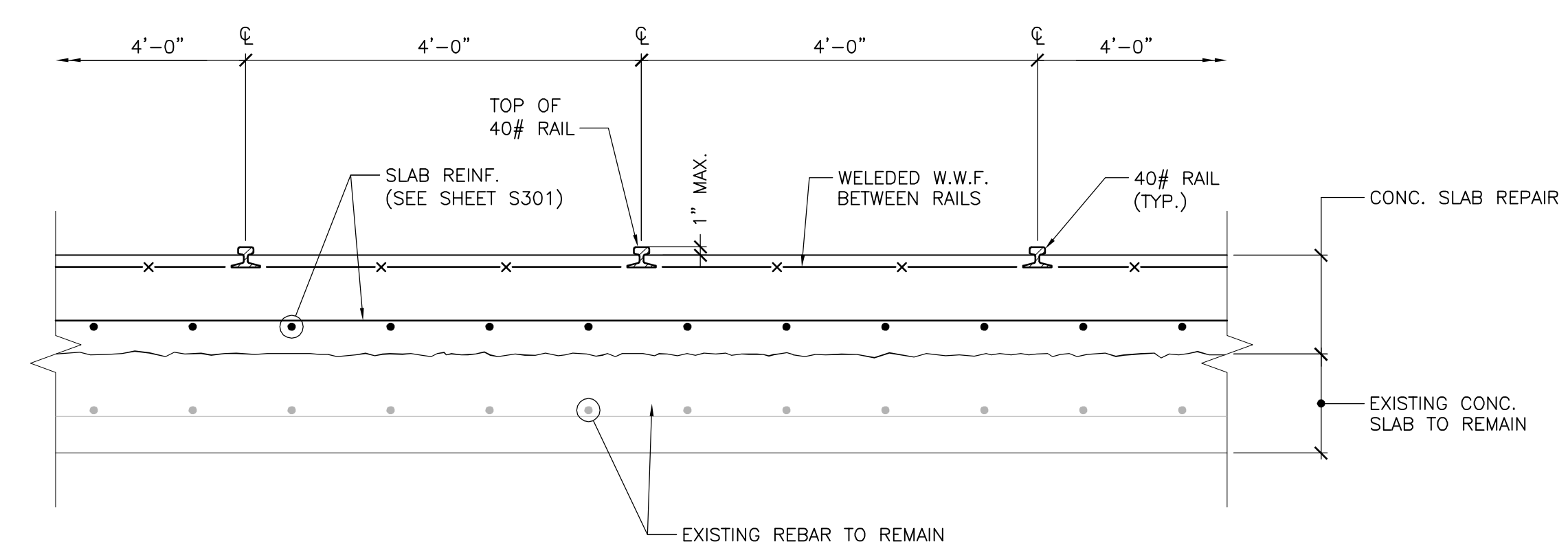
PROJECT NO: 36937394
DRAWN BY: MMM
CHECKED BY: PJG
DATE: 10/24/07
CADD FILE: S402.DWG

**CONCRETE SLAB
REPAIR DETAILS**

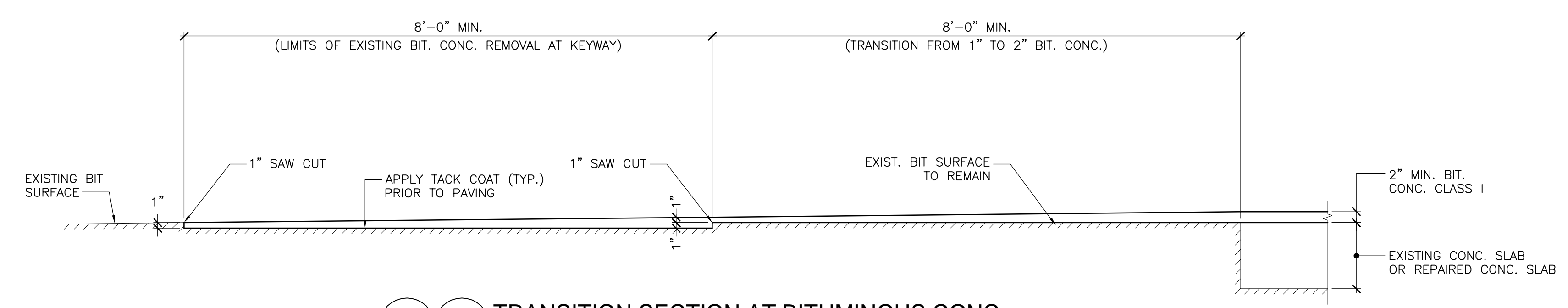
S-402



SECTION 3
S-003 S-201 S-202 SCALE: 3/4" = 1'-0"



SECTION 2
S-202 S-201 S-401 SCALE: 3/4" = 1'-0"



SECTION 1
S-003 S-004 SCALE: 3/4" = 1'-0"