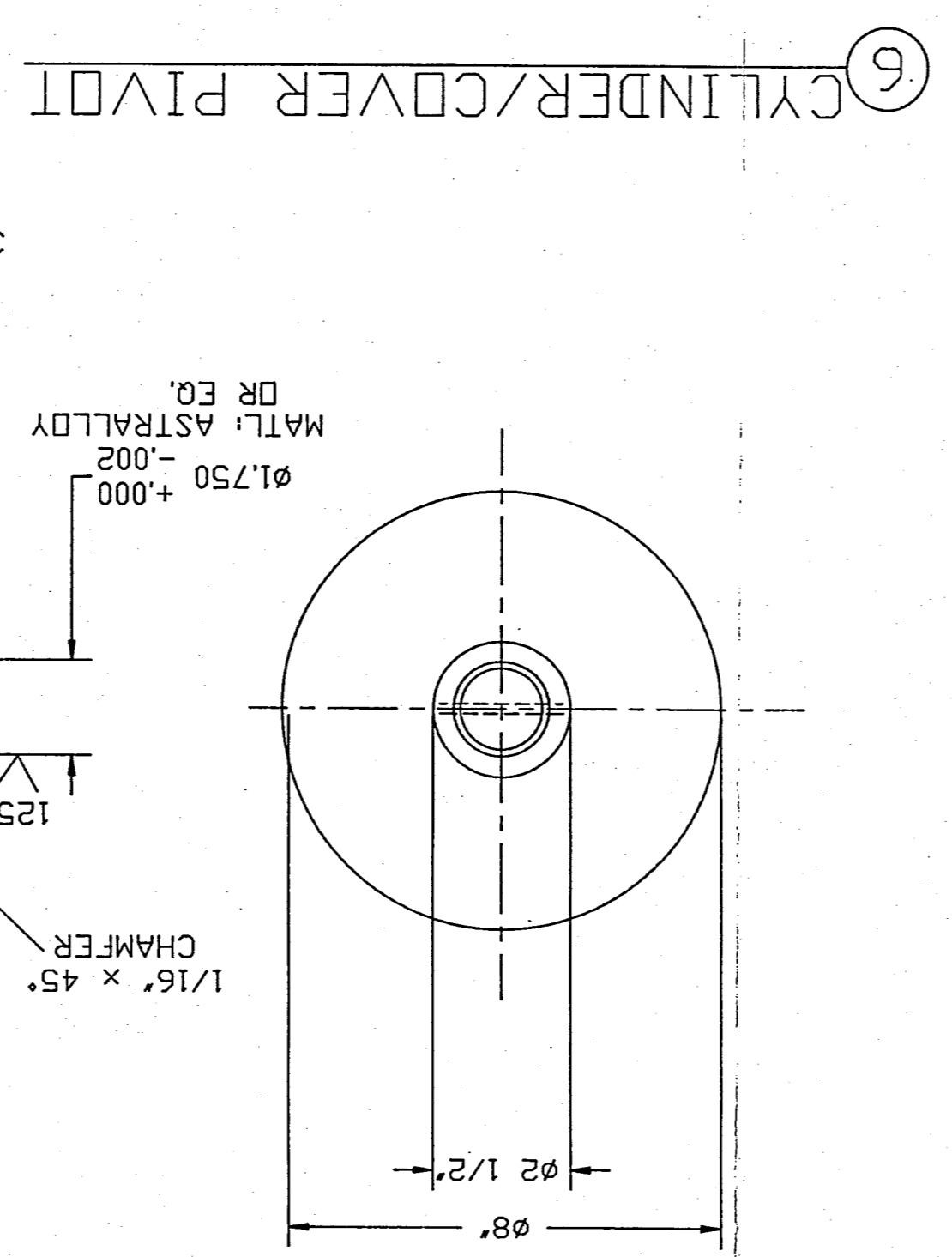
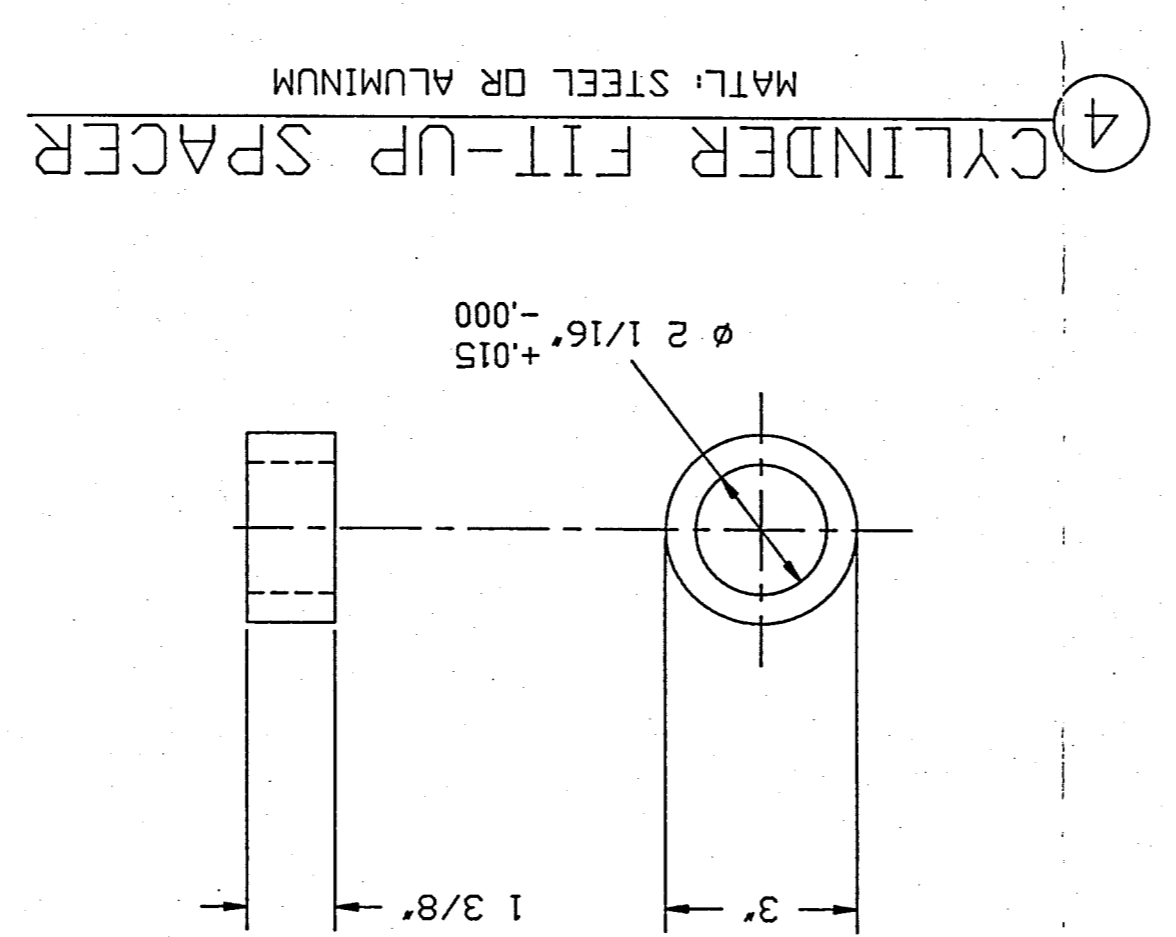


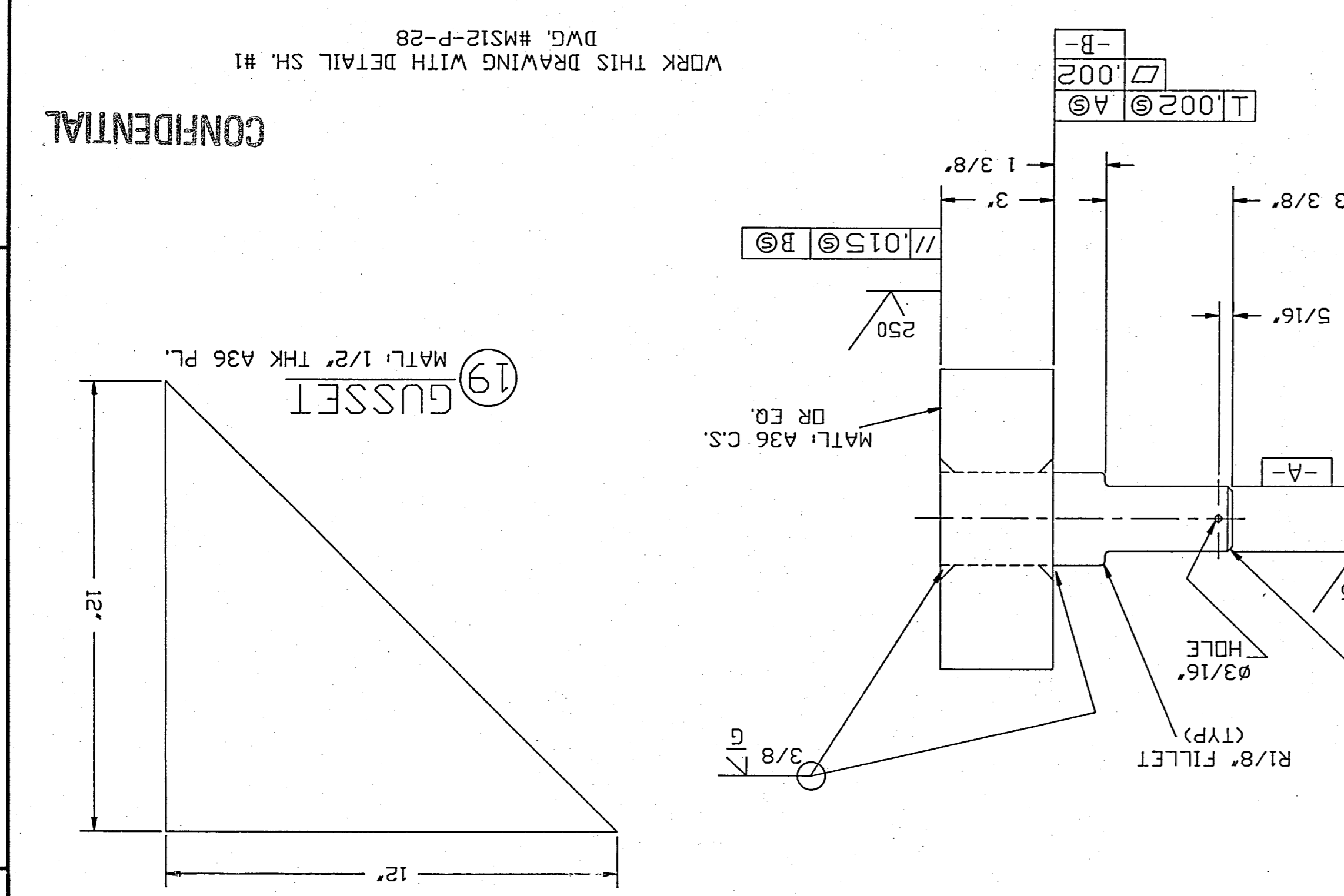
8 COVER REST KNEE BRACE  
SCALE: 1" = 12"



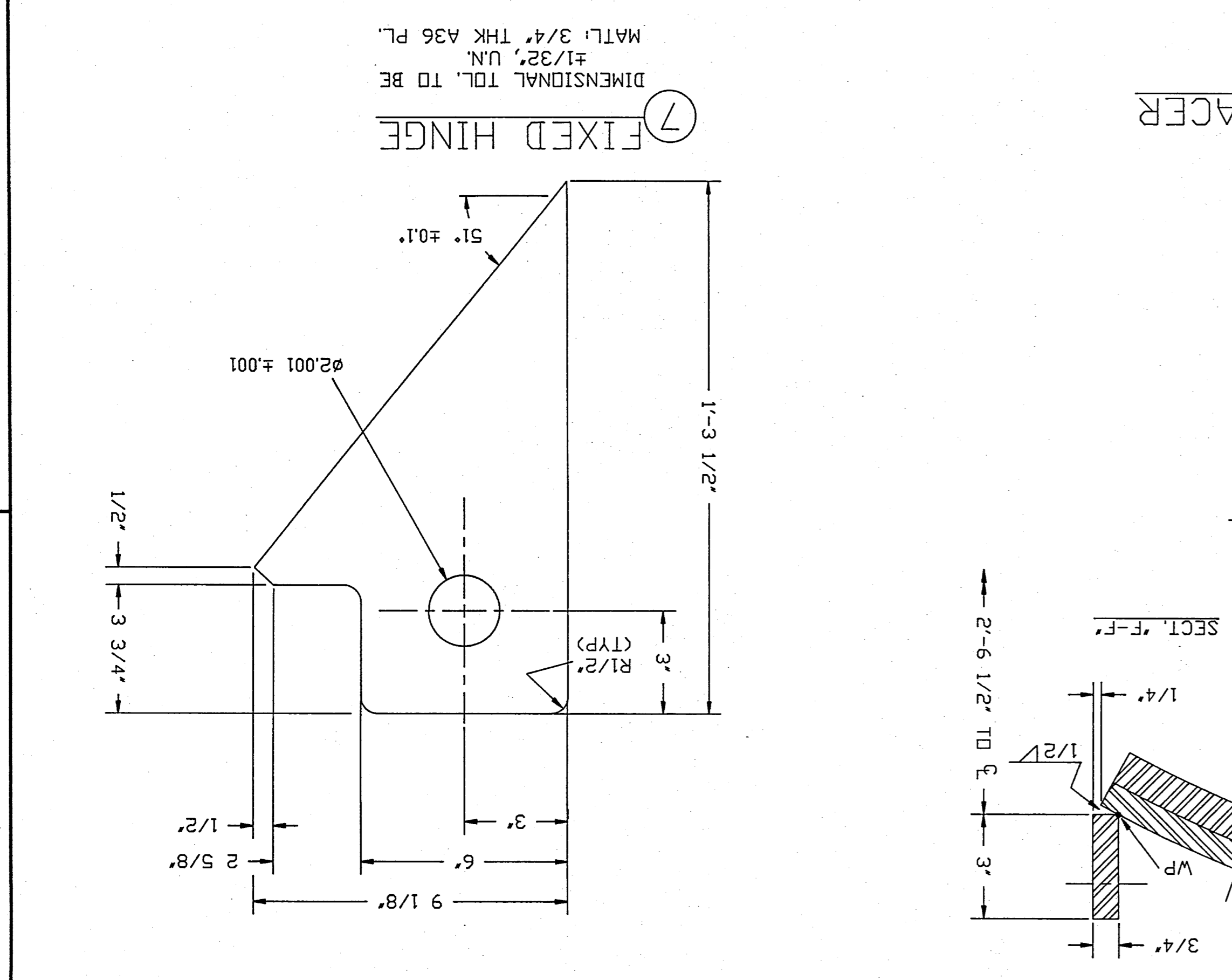
6 CYLINDER/COVER PIVOT



4 CYLINDER FIT-UP SPACER



19 GUSSET  
MATERIAL: 1/2" THK A36 PL.



7 FIXED HINGE  
DIMENSIONAL TOL. TO BE  
± 1/32", U.N.  
MATERIAL: 3/4" THK A36 PL.

REV.	DATE	DESCRIPTION	BY	CHECKED	APPROVED	SCALE: 1" = 6", U.N.
A	3-30-92	INITIAL RELEASE	JAB	PDK	[Signature]	3-30-92
DWG. NO.	MS12-P-29	This drawing is the property of ABB Resource Recovery Systems, a division of Combustion Engineering, Incorporated, Windsor, Connecticut, 06095, and is not to be reproduced or used to furnish any portion, for making of drawings or parts, except where provided for by agreement with said company.				
DESIGNER	DRAWN	CHECKED	APPROVED	DATE	BY	SCALE
JAB	JAB	PDK	[Signature]	3-30-92	[Signature]	1" = 6", U.N.
PROJ. NO.	PROJ. NAME	This drawing is the property of ABB Resource Recovery Systems, a division of Combustion Engineering, Incorporated, Windsor, Connecticut, 06095, and is not to be reproduced or used to furnish any portion, for making of drawings or parts, except where provided for by agreement with said company.				
4-1-92	PDK					
MECH	DRGR	ENGR	DATE	ENGINEERING REVIEW DIR. OF ENGR. [Signature] 4/1/92 DISC. ENGR. [Signature] 4/1/92		
STN. QCN	PER	ABB RESOURCE RECOVERY SYSTEMS PRIMARY SHREDDER COVER DETAIL SH. #2 CONNECTICUT RESOURCES RECOVERY PROJECT MID-CONNECTICUT PROJECT MS12-P-29				