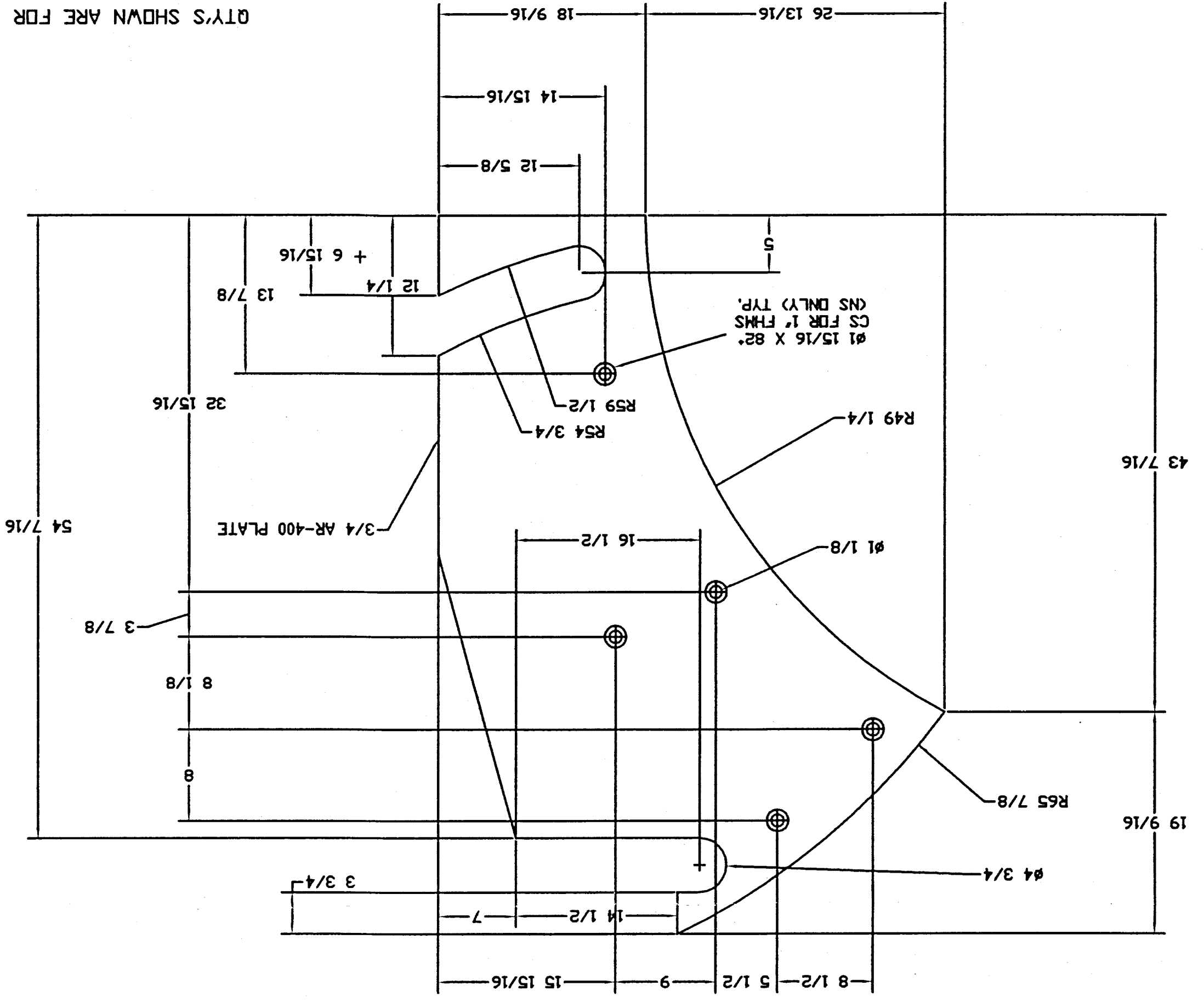


REV	1	D-11151-1
DATE	4/17/00	DESIGNED BY
APPROVED BY		CHECKED BY
WORK ORDER	11151	DATE
TOLERANCES		SIZE
MDC		
WEAR PLATES		

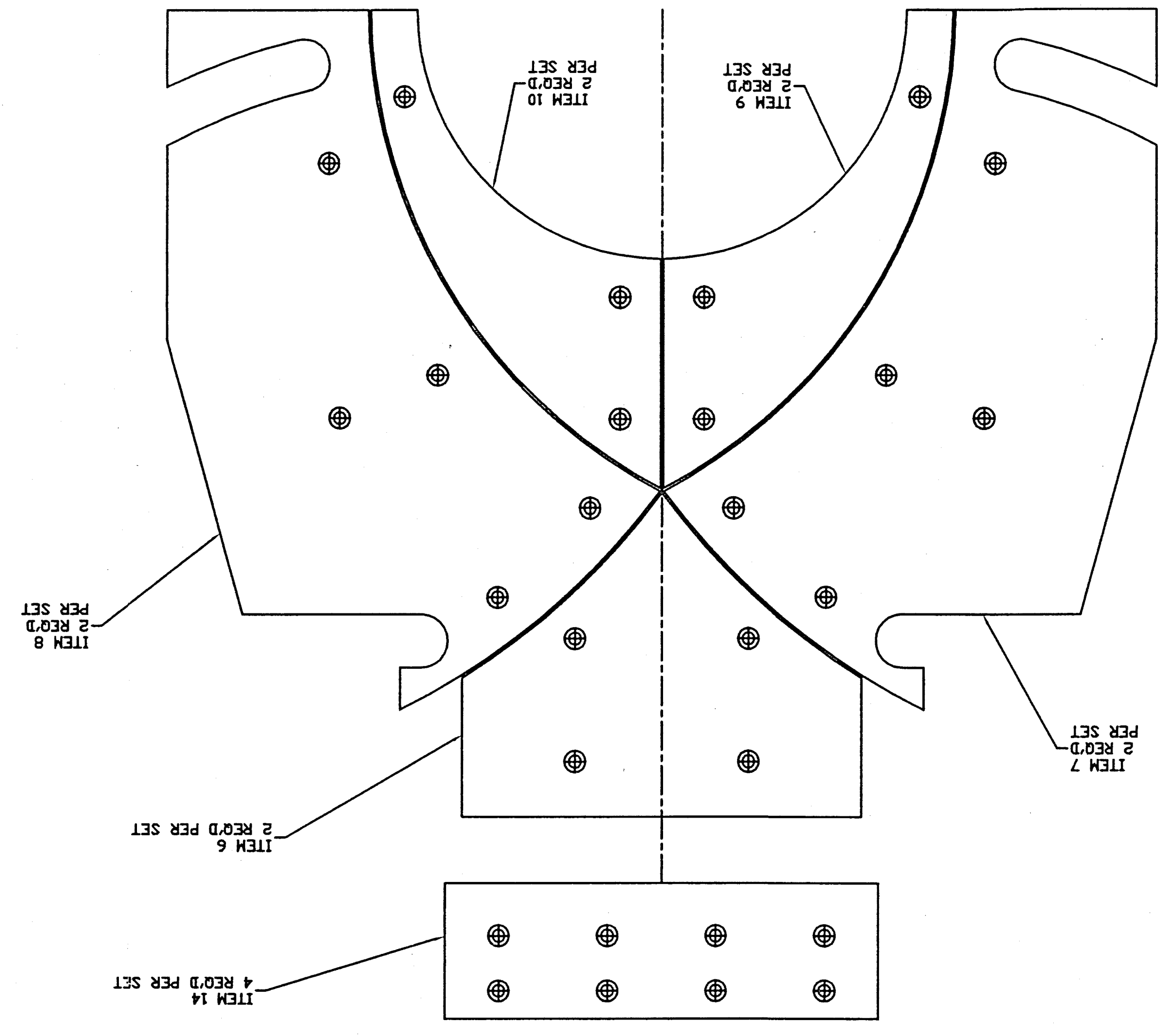
REV 5/23/98 1/2 X 2 FB INDICATES

ITEM 8 (AS SHOWN) 2 REQ'D - ITEM 7 (OPP. HAND) 2 REQ'D

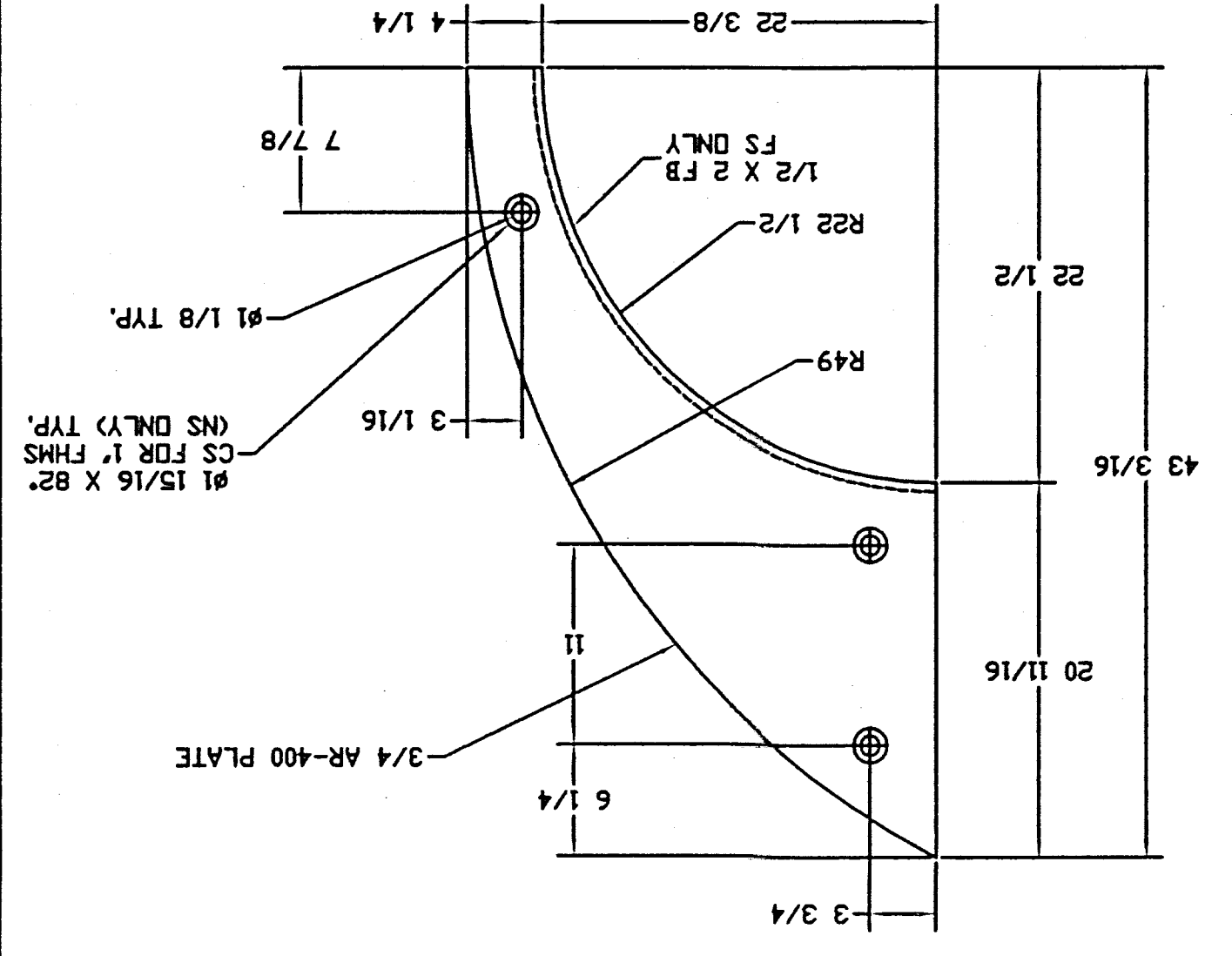
QTY'S SHOWN ARE FOR ONE SET



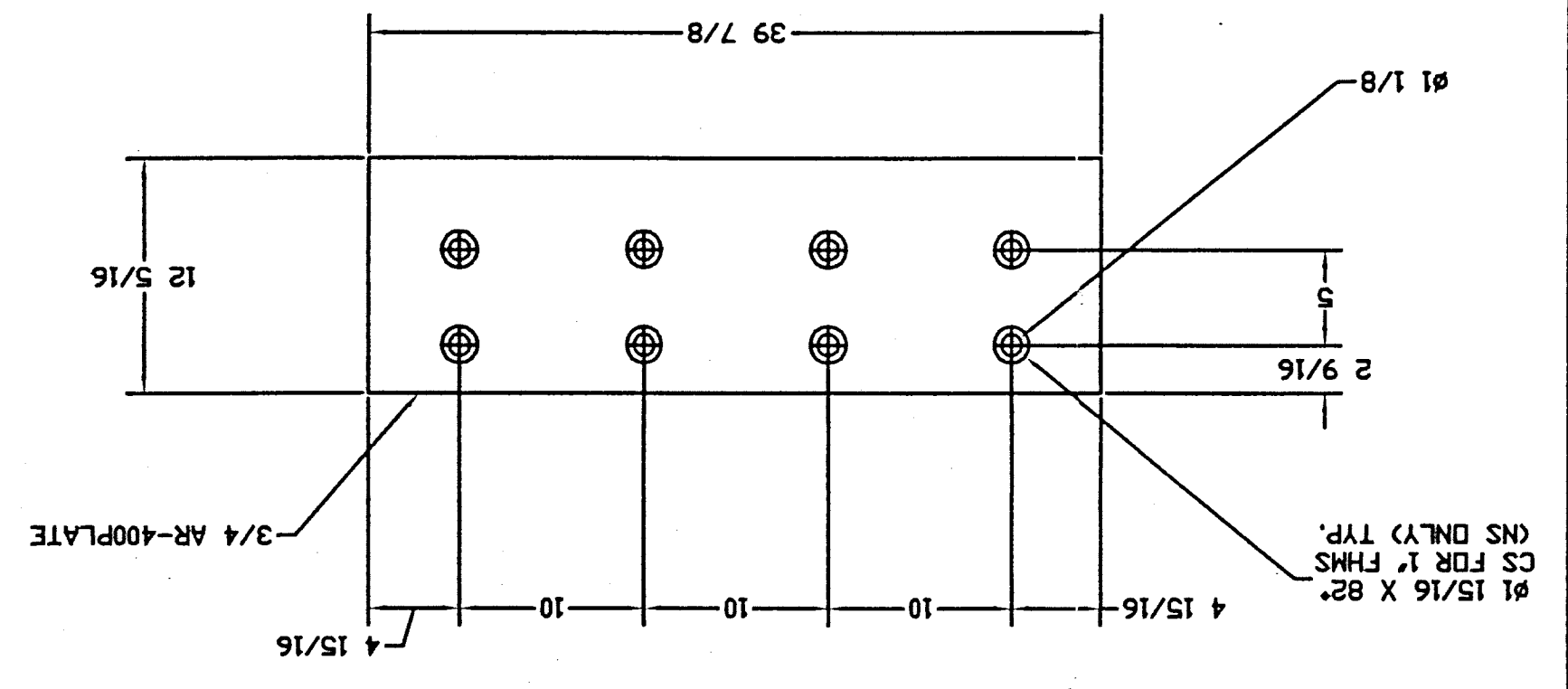
KEY PLAN



ITEM 10 (AS SHOWN) 2 REQ'D - ITEM 9 (OPP. HAND) 2 REQ'D



ITEM 14 (4 REQ'D)



ITEM 6 (2 REQ'D)

